

1. PURPOSE

Lifting slings LSS-E340 (item 2708) are intended for lifting of inflatable boats " BRIG " E340, E340H.

Lifting slings LSS-E380 (item 2706) are intended for lifting of inflatable boats " BRIG " E380, E380H.

Lifting slings LSS-E480 (item 2713) are intended for lifting of inflatable boats " BRIG " E480, E480H.

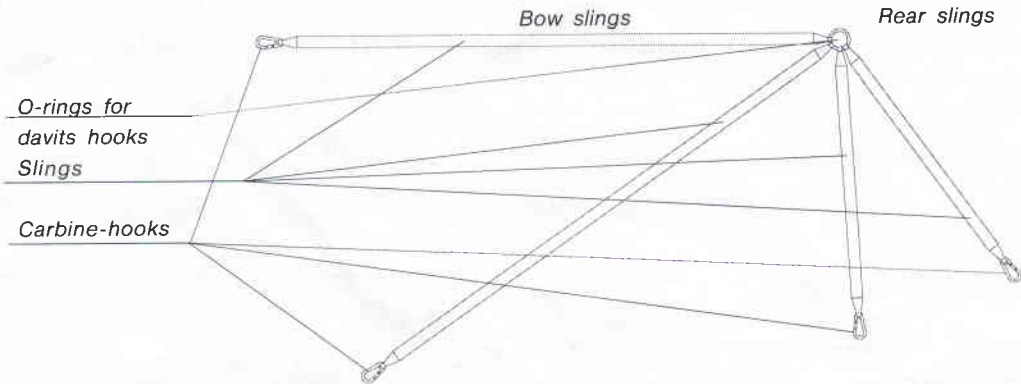
2. TECHNICAL DATA

| | E340 | E380 | E480 |
|-----------------------|-----------|-----------|-----------|
| Max. loading, kg | 800 | 800 | 800 |
| Bow sling length, m | 1.82 | 2.00 | 2.5 |
| +hooks, m | 1.97±0.04 | 2.15±0.04 | 2.65±0.04 |
| Rear slings length, m | 0.97 | 0.97 | 1.6 |
| +hooks, m | 1.12±0.04 | 1.12±0.04 | 1.75±0.04 |

3. COMPLETE SET

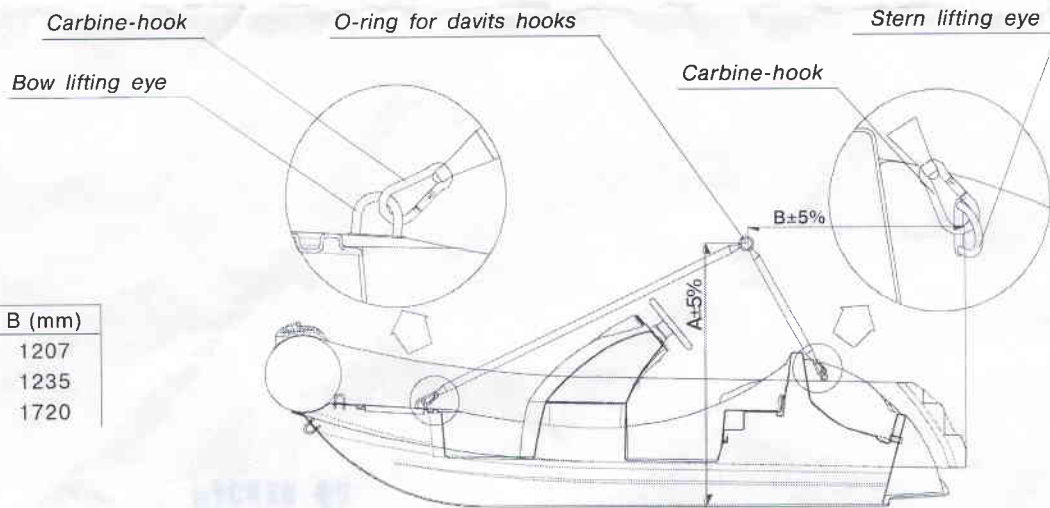
1. Set of slings pair with four carbine-hooks and O-ring - 1 set.
2. User's manual - 1 pc.

4. DESIGN

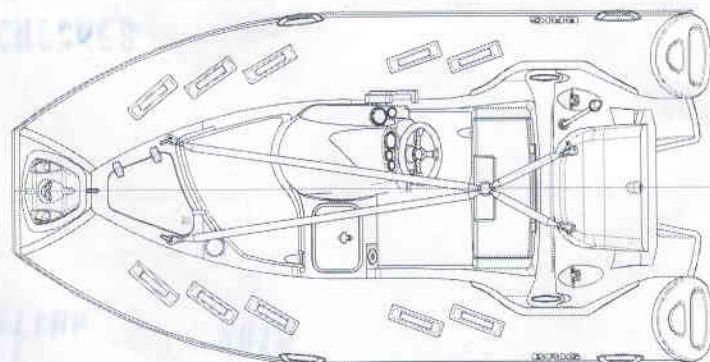


5. INSTALLATION ON BOARD

Your boat has been already equipped with the fittings for lifting slings - please use them under your boat users manual instructions.



| | A (mm) | B (mm) |
|------|--------|--------|
| E340 | 1520 | 1207 |
| E380 | 1665 | 1235 |
| E480 | 1610 | 1720 |



6. SAFETY REQUIREMENTS

6.1. IT'S STRICTLY FORBIDDEN :

- to lift the boat with the people inside;
- to overload the boat when lifting.

6.2. Before lifting make yourself shure that lifting slings and lifting eyes have no any cracks and ubnormal deformations.

6.3. Before lifting make yourself shure that the slings ring is jointed to davits hooks in proper way.